

CATALOGO DELLE PARTI DI RICAMBIO  
IMPIANTI ELETTRICI

SPARE PARTS CATALOGUE  
ELECTRIC PLANT

CATALOGUE DE PIECE DETACHEES  
INSTALLATION ELECTRIQUE

ERSATZTEILKATALOG  
SCHALTPLAN

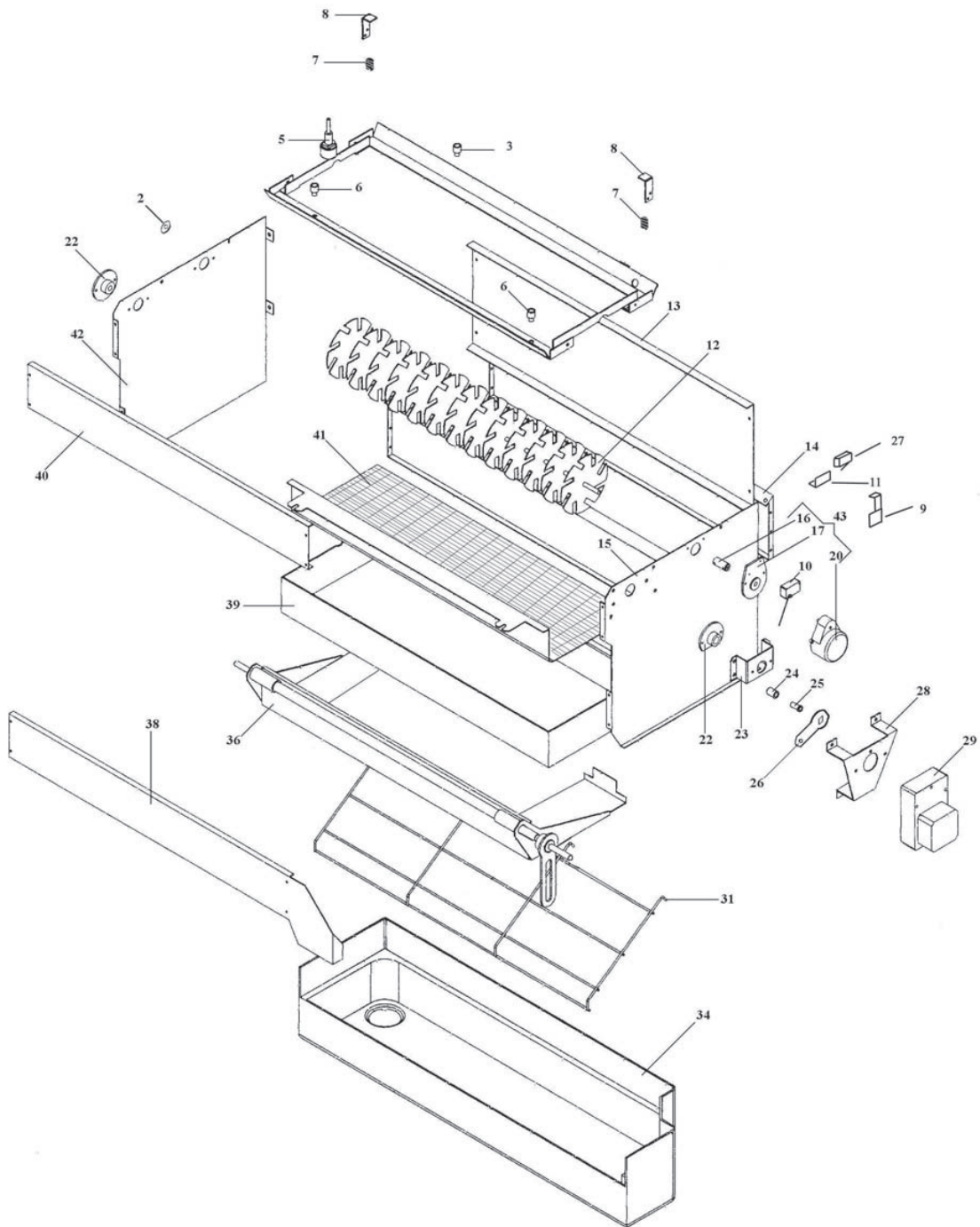
CATÁLOGO DE REPUESTOS  
INSTALACIÓN ELECTRICA

**MP60**  
**MP80**  
**MP100**  
**MP150**  
**MPM150**

## TAV.2

POS,	COD,	Denominazione	Denomination	Denominacion	Bezeichnung	Denomination
2	9020362000	Supporto albero palette	Support	Soporte	Lager	Support
3	3060331100	Distanziale h=1	Spacer	Entretoise	Abstandscheibe	Distanciador
5	3010024500	Livellostato	Float	Flotteur		
6	3060331200	Distanziale	Spacer	Entretoise	Abstandscheibe	Distanciador
7	2006053000	Molla telaio	Spring	Muelle	Feder	Ressort
8	9016047700	Supporto molla	Support	Soporte	Lager	Support
9	9016073100	Comando micro	Cams only	Comand microinterrupt.	Mikroschalterhebel	
10	3010320000	Micro filo	Microswitch	Micro	Mikroschalter	Micro
11	9016047800	Supporto micro	Support	Soporte	Lager	Support
12	9070336000	Albero palette MP60/80	Paddle-shaft	Arbre palettes	Paddelachse	
12	9070341000	Albero palette MP100/150	Paddle-shaft	Arbre palettes	Paddelachse	
13	9016139400	Posteriore box MP60/80				
13	9016139600	Posteriore box MP100/150				
14	9016139300	Traverso post.box MP/60/80				
14	9016139500	Traverso post.box MP100/150				
15	9016136000	Parete porta componenti dx	Righthand support	Paroi droite	Rechte Halterung	
16	9050031000	Giunto ottone	Joint		Kupplung	Joint
17	9020372000	Supporto motoaggitatore	Support	Soporte	Lager	Support
20	3004010000	Motagitatore 220v	Paddle motor	Groupe motoagitateur	Bewegungsmotor	
22	9020371000	Supporto albero D.12 serie M	Support	Soporte	Lager	Support
23	9016121400	Supporto albero vaschetta	Support	Soporte	Lager	Support
24	9050423500	Boccola leva	Bush	Douille	Buchse	Casquillo
25	9050455000	Perno boccola leva	Pin	Pivot	Bolzen	
26	9016072800	Leva motoriduttore	Lever	Levier	Hebel	
27	3010321000	Micro a rotella	Microswitch	Micro	Mikroschalter	Micro
28	9016105900	Supporto motoriduttore	Support	Soporte	Lager	Support
29	9082020700	Gr motoriduttore	Trough motor	Motoréducteur	Getriebemotor	
31	9015818500	Griglia controscivolo MP60/80	Grille	Rejilla	Gitter	Grille
31	9015819000	Griglia controsc. MP100/150	Grille	Rejilla	Gitter	Grille
34	9030325800	Vaschetta recupero MP60/80	Tank	Cuvette	Wasserwanne	Cubeta
34	9030325900	Vaschetta recupero MP100/150	Tank	Cuvette	Wasserwanne	Cubeta
36	9016129200	Gr telaio vaschetta MP60/80	Tank frame		Wannenträger	Cadre cuvette
36	9016129300	Gr telaio vaschetta MP100/150	Tank frame		Wannenträger	Cadre cuvette
38	9016138500	Traverso inf.box MP/60/80				
38	9016139000	Traverso inf.box MP100/150				
39	9030329200	Vaschetta cubetti MP60/80	Tank	Cuvette	Wasserwanne	
39	9030329300	Vaschetta cubetti MP100/150	Tank	Cuvette	Wasserwanne	Cubeta
40	9016137500	Traverso sup.box MP60/80				
40	9016138000	Traverso sup.box MP100/150				
41	9015808600	Scivolo MP/60/80	Slide	Glissade		
41	9015808700	Scivolo MP100/150	Slide	Glissade		
42	9016137000	Parete porta componenti sx	Lefthand support	Paroi gauche	Linke Halterung	
43	9082013000	Gr motoaggitatore 220v	Paddle motor	Groupe motoagitateur	Bewegungsmotor	

**TAV.2**



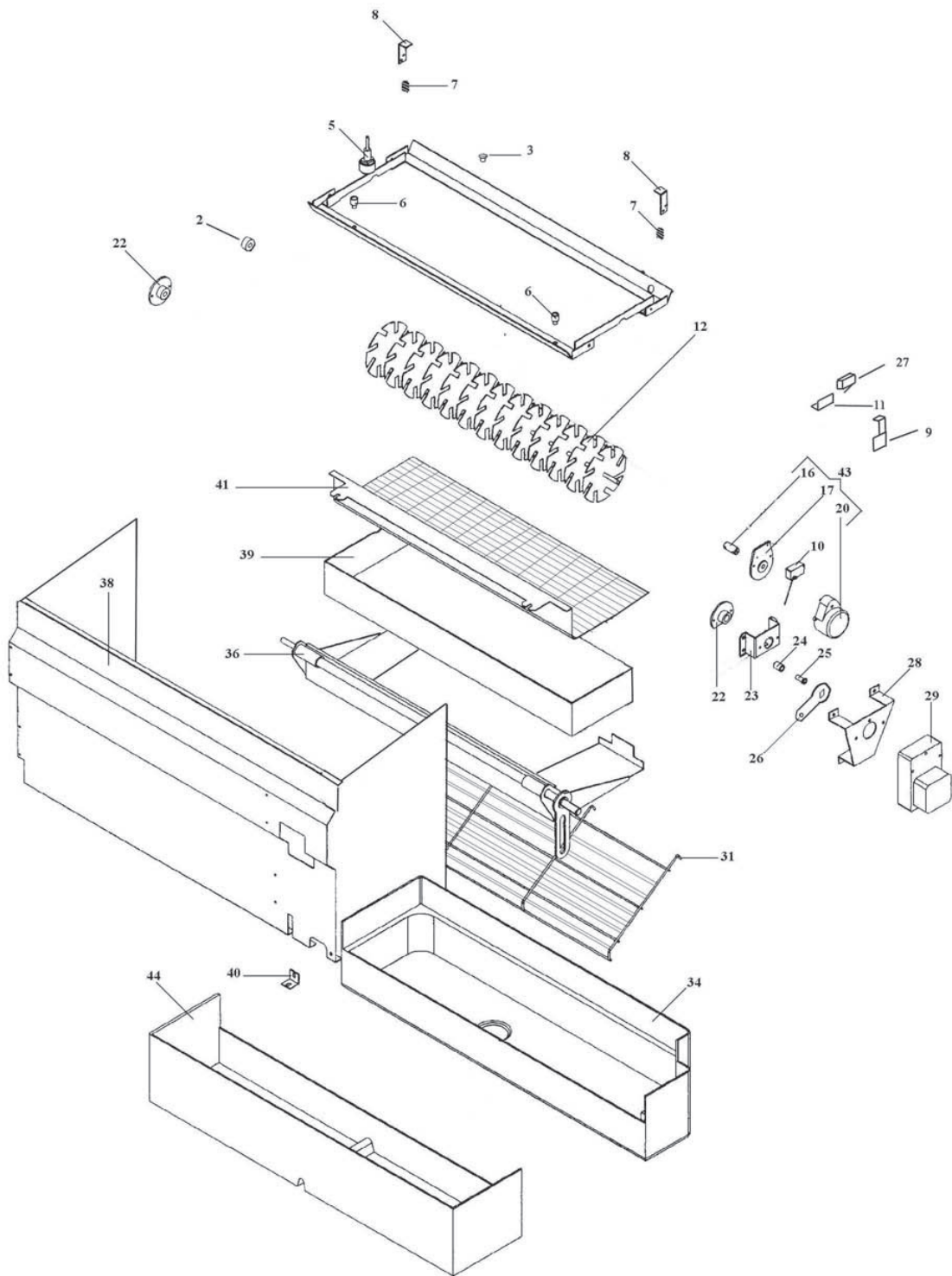
**MOD.MP60  
MOD.MP80  
MOD.MP100**

# MOD.MP150

## TAV.3

POS.	COD.	Denominazione	Denomination	Denominacion	Bezeichnung	Denomination
2	9020362000	Supp alb.palette	Support	Soporte	Lager	Support
3	3060331100	Distanziale h=1	Spacer	Entretoise	Abstandscheibe	Distanciador
5	3010024500	Livellostato	Float	Flotteur		
6	3060331200	Distanziale	Spacer	Entretoise	Abstandscheibe	Distanciador
7	2006053000	Molla telaio	Spring	Ressort	Feder	Muelle
8	9016047700	Supporto molla	Support	Soporte	Lager	Support
9	9016073100	Comando micro	Cams only	Comand microinterrupt.	Mikroschalterhebel	
10	3010320000	Micro filo	Microswitch	Micro	Mikroschalter	Micro
11	9016047800	Supporto micro	Support	Soporte	Lager	Support
12	9070341000	Albero palette	Paddle-shaft	Arbre palettes	Paddelachse	
16	9050031000	Giunto ottone	Joint		Kupplung	Joint
17	9020372000	Supp motoagitatore	Support	Soporte	Lager	Support
20	3004010000	Motoagitatore 220v	Paddle motor	Groupe motoagitateur	Bewegungsmotor	
22	9020371000	Supp alb.D12 serie M	Support	Soporte	Lager	Support
23	9016121400	Supporto alb.vaschetta	Support	Soporte	Lager	Support
24	9050423500	Boccola leva codronata	Bush	Casquillo	Buchse	Douille
25	9050455000	Perno boccola leva	Pin	Pivot	Bolzen	
26	9016072800	Leva motoriduttore	Lever	Levier	Hebel	
27	3010321000	Micro rotella	Microswitch	Micro	Mikroschalter	Micro
28	9016105900	Supporto motoriduttore	Support	Soporte	Lager	Support
29	9082020700	Gr motoriduttore	Trough motor	Motoréducteur	Getriebemotor	
31	9015812300	Griglia controscivolo	Grille	Rejilla	Gitter	Grille
34	9030325400	Vaschetta recupero	Tank	Cuvette	Wasserwanne	Cubeta
36	9016129300	Gr telaio vaschetta	Tank frame	Cadre cuvette	Wannenträger	
39	9030329300	Vaschetta cubetti	Tank	Cuvette	Wasserwanne	Cubeta
40	9016047500	Supporto frontale	Support	Soporte	Lager	Support
41	90115808700	Scivolo	Slide	Glissade		
43	9082013000	Gr motoagitatore 220v	Paddle motor	Groupe motoagitateur	Bewegungsmotor	
44	9016172500	Convogliatore cubetti				

# TAV.3

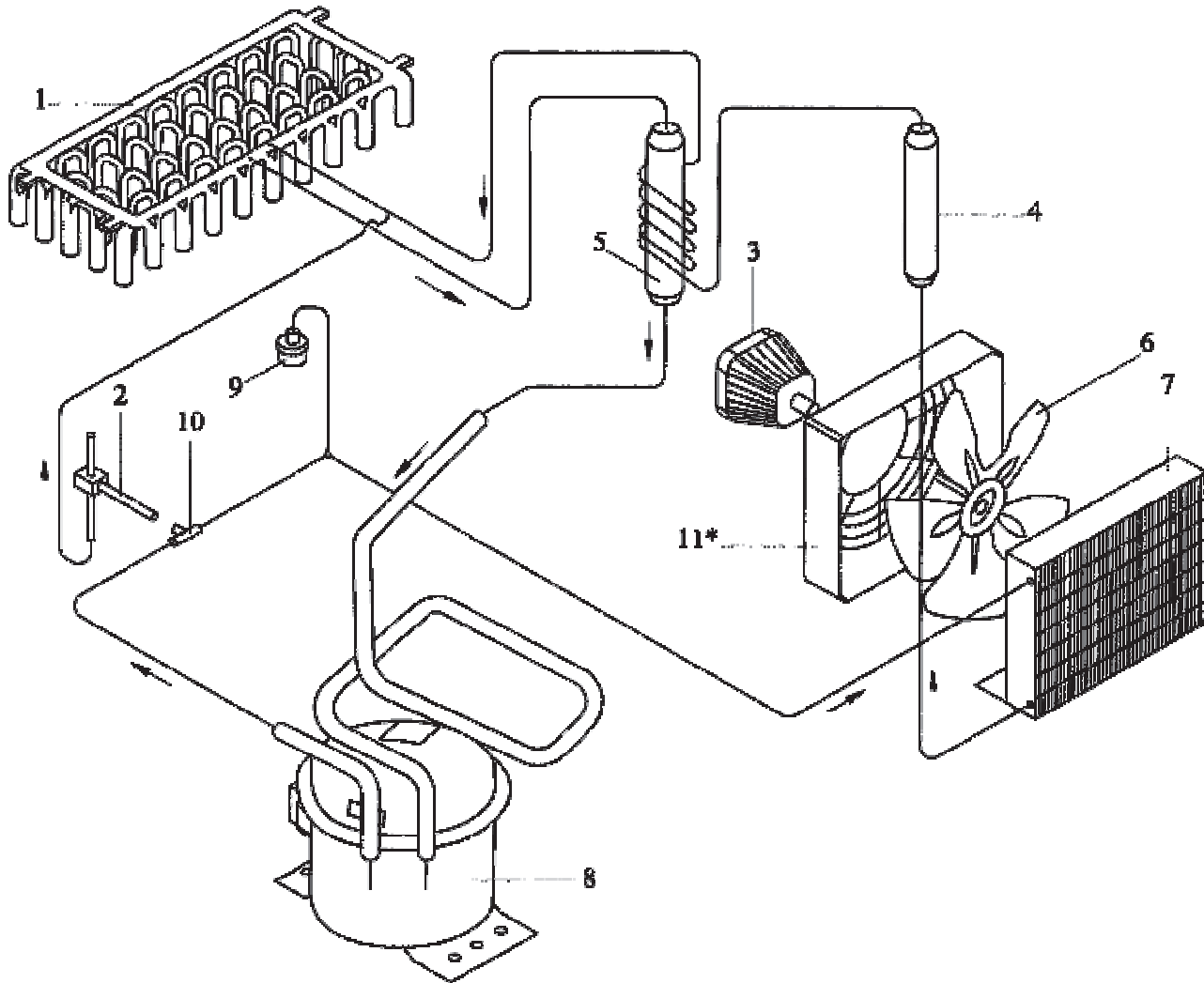


**MOD.MPM150**

# TAV.7

POS.	COD.	Denominazione	Denomination	Denominacion	Bezeichnung	Denomination
1	9086684000	Evaporatore completo MP60-80	Evaporator assy	Evaporateur compl.	Kompl. Verdampfer	Evaporador completo
1	9086689000	Evaporatore completo MP100-150	Evaporator assy	Evaporateur compl.	Kompl. Verdampfer	Evaporador completo
2	4011020000	Valvola gas caldo	Hot gas valve	Vanne gas chaud	Abtauventil	Válvula
3	3003022000	Motoventilatore MP60-80	Motor fan	Motoventilateur	Motorventil	Motoventilador
3	3003030000	Motoventilatore MP100	Motor fan	Motoventilateur	Motorventil	Motoventilador
3	3003070000	Motoventilatore MP150	Motor fan	Motoventilateur	Motorventil	Motoventilador
4	4008014000	Filtro MP60-80-100	Filter	Filtre	Filter	Filtro
4	4008020000	Filtro MP150	Filter	Filtre	Filter	Filtro
5	4009034000	Boyler con capillari MP60-80	Boyler	Boyler	Boyler	Boyler con capilares
5	4009044000	Boyler con capillari MP100-150	Boyler	Boyler	Boyler	Boyler con capilares
6	4005019000	Ventola MP60-80	Fan	Héris de ventilation	Flügelrad	Aspas ventilador
6	4005022000	Ventola MP100-150	Fan	Héris de ventilation	Flügelrad	Aspas ventilador
7	4003026000	Condensatore aria	Air condenser	Condenseur	Kondensator	Condensador aire
8	4001019300	Compressore MP60	Compressor	Compresseur	Kompressor	Compresor
8	4001031600	Compressore MP80-100	Compressor	Compresseur	Kompressor	Compresor
8	4001034500	Compressore MP150	Compressor	Compresseur	Kompressor	Compresor
9	4006013000	Pressostato	Pressostat	Pressostat	Drückwächter	Presóstat
10	4048006000	T in rame				
11	4003901000	Convogliatore MP60-80				
11	4003902000	Convogliatore MP150				

**TAV.7**



\* SOLO PER MP60-80-150 / ONLY FOR MP60-80-150

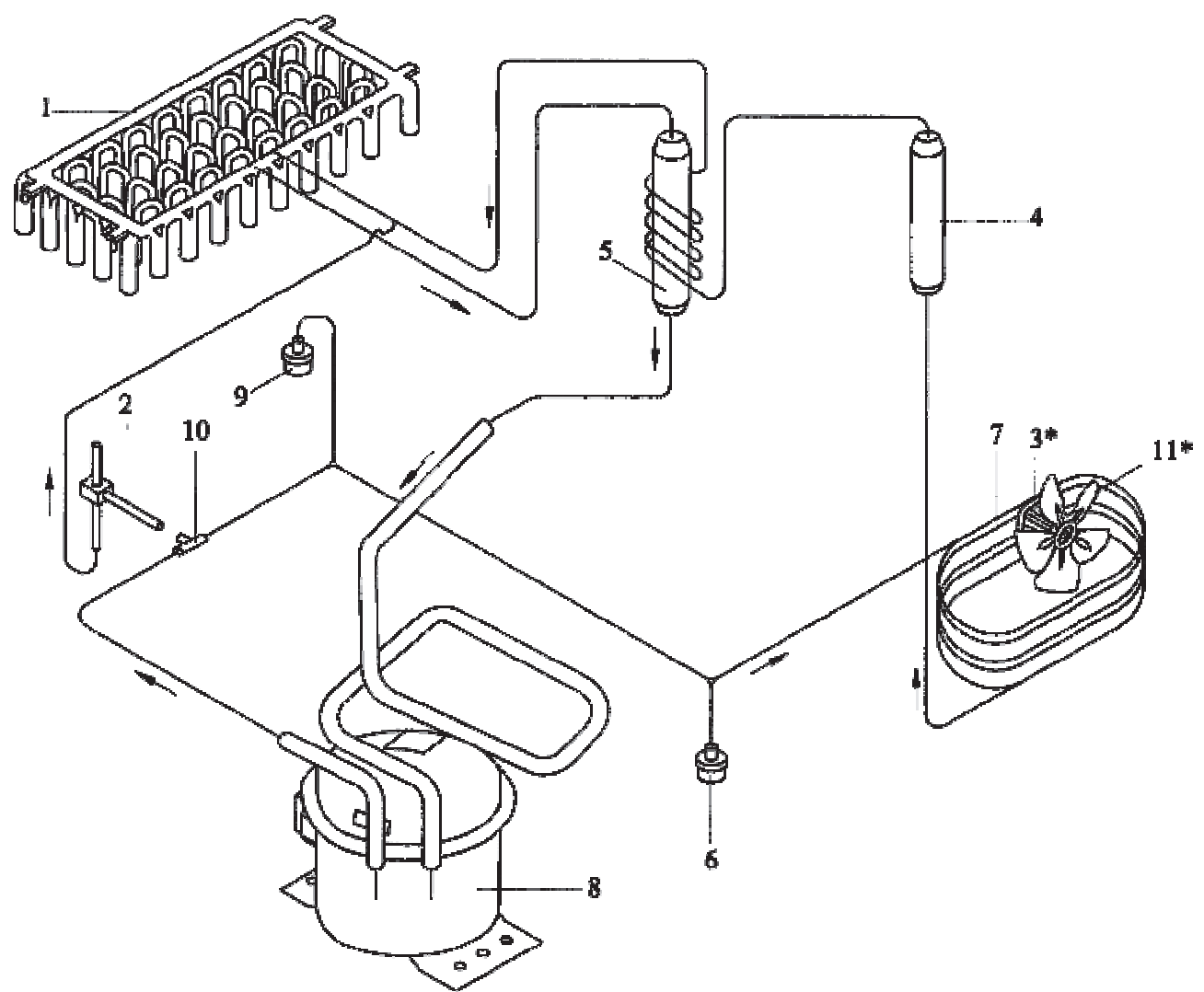
**MOD.MP60 A**  
**MOD.MP80 A**  
**MOD.MP100 A**  
**MOD.MP150 A**

# TAV.8

POS.	COD.	Denominazione	Denomination	Denominacion	Bezeichnung	Denomination
1	9086684000	Evaporatore completo MP60-80	Evaporator assy	Evaporateur compl.	Kompl. Verdampfer	Evaporador completo
1	9086689000	Evaporatore completo MP100-150	Evaporator assy	Evaporateur compl.	Kompl. Verdampfer	Evaporador completo
2	4011020000	Valvola gas caldo	Hot gas valve	Vanne gas chaud	Abtauventil	Válvula
3	3003012000	Motoventilatore MP150	Motor fan	Motoventilateur	Motorventil	Motoventilador
4	4008014000	Filtro MP60-80-100	Filter	Filtre	Filter	Filtro
4	4008020000	Filtro MP150	Filter	Filtre	Filter	Filtro
5	4009034000	Boyler con capillari MP60-80	Boyler	Boyler	Boyler	Boyler con capilares
5	4009044000	Boyler con capillari MP100-150	Boyler	Boyler	Boyler	Boyler con capilares
6		Pressostato 24 atm	Pressostat 24 atm	Pressostat 24 atm	Drückschalter 24 atm	Presóstato 24 atm
7	9086541900	Condensatore acqua MP60-80-100	Water condenser	Condenseur par eau	Kondensator	Condensador agua
7	9086543900	Condensatore acqua MP150	Water condenser	Condenseur par eau	Kondensator	Condensador agua
8	4001019300	Compressore MP60	Compressor	Compresseur	Kompressor	Compresor
8	4001031600	Compressore MP80-100	Compressor	Compresseur	Kompressor	Compresor
8	4001034500	Compressore MP150	Compressor	Compresseur	Kompressor	Compresor
9	4006013000	Pressostato	Pressostat	Pressostat	Drückwächter	Presóstato
10		T in rame				
11	4005016000	Ventola MP150	Fan	Hélis de ventilation	Flügelrad	Aspas ventilador



**TAV.8**



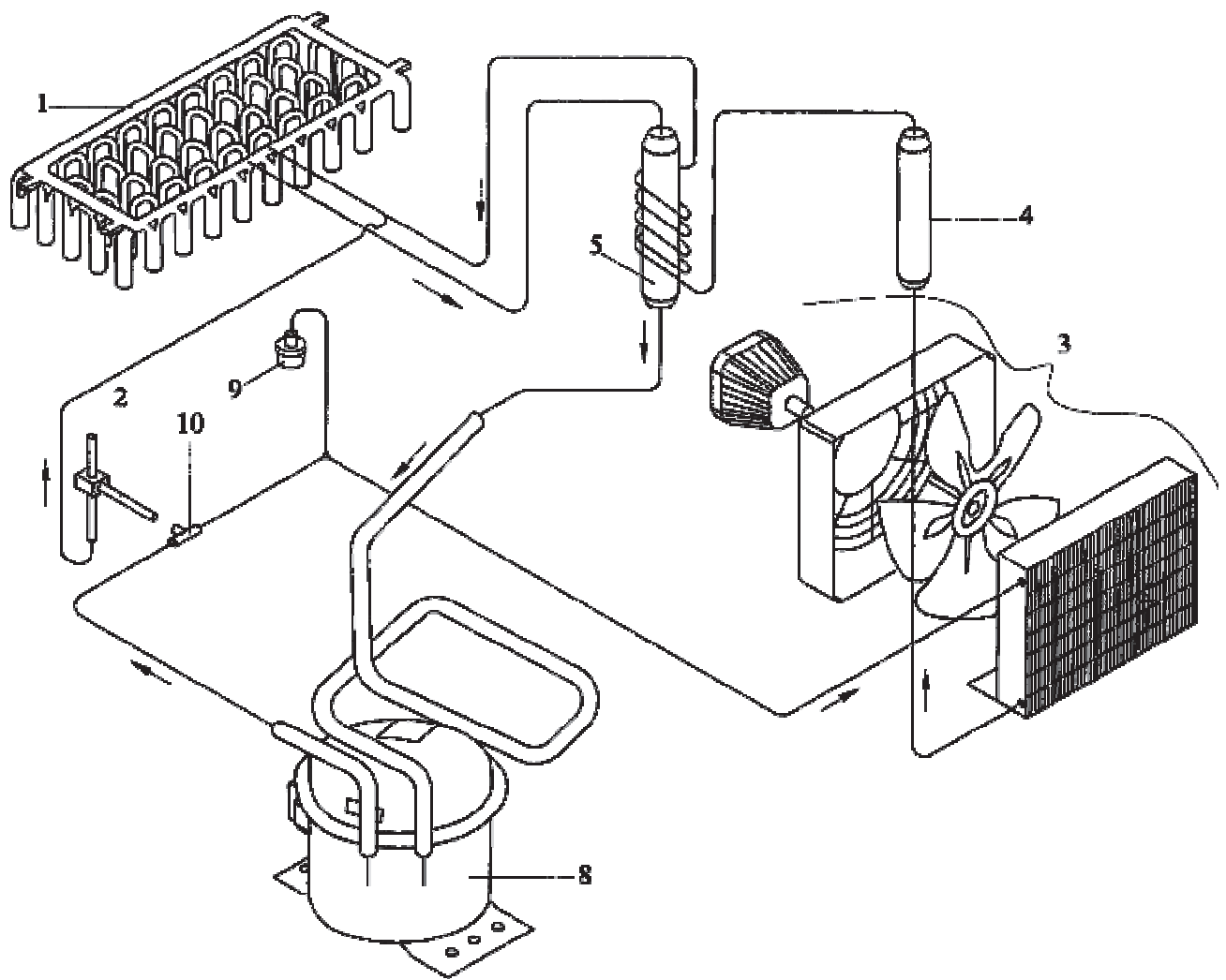
**\* SOLO PER MP150 / ONLY FOR MP150**

**MOD.MP60 W  
MOD.MP80 W  
MOD.MP100 W  
MOD.MP150 W**

**TAV.9**

<b>POS.</b>	<b>COD.</b>	<b>Denominazione</b>	<b>Denomination</b>	<b>Denominacion</b>	<b>Bezeichnung</b>	<b>Denomination</b>
1	9086689000	Evaporatore completo	Evaporator assy	Evaporateur compl.	Kompl. Verdampfer	Evaporador completo
2	4011020000	Valvola gas caldo	Hot gas valve	Vanne gas chaud	Abtauventil	Válvula
3	4003039000	Condensatore aria	Air condenser	Condenseur	Kondensator	Condensador aire
4	4008020000	Filtro	Filter	Filtre	Filter	Filtro
5	4009044000	Boiler con capillari	Boiler	Boiler	Boiler	Boiler con capilares
8	4001034500	Compressore	Compressor	Compresseur	Kompressor	Compresor
9	4006013000	Pressostato	Pressostat	Pressostat	Drückwächter	Presóstato
10	4048006000	T in rame				

**TAV.9**



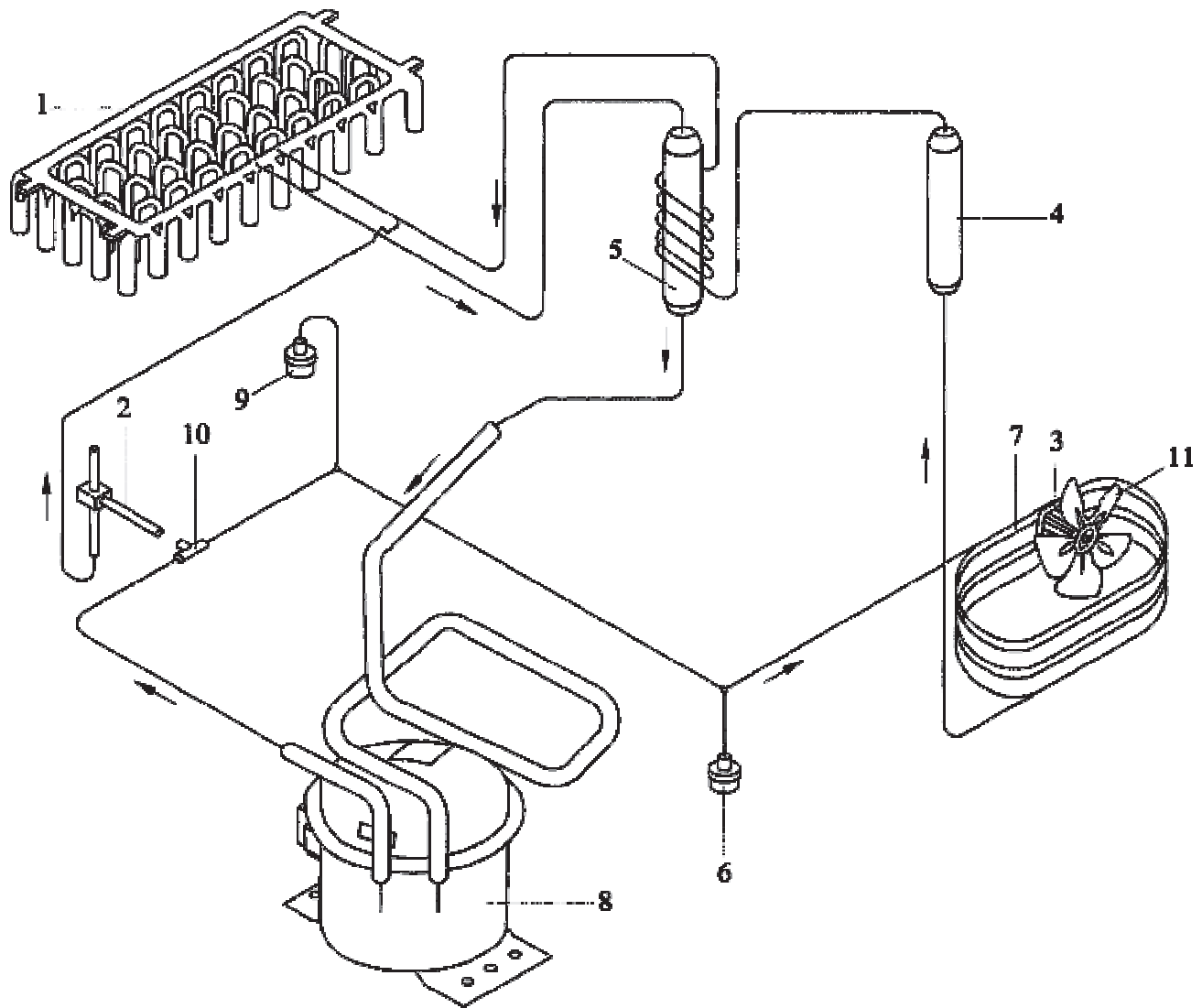
**\* SOLO PER MP60-80-150 / ONLY FOR MP60-80-150**

**MOD.MPM150 A**

**TAV.10**

<b>POS.</b>	<b>COD.</b>	<b>Denominazione</b>	<b>Denomination</b>	<b>Denominacion</b>	<b>Bezeichnung</b>	<b>Denomination</b>
1	9086689000	Evaporatore completo	Evaporator assy	Evaporateur compl.	Kompl. Verdampfer	Evaporador completo
2	4011020000	Valvola gas caldo	Hot gas valve	Vanne gas chaud	Abtauventil	Válvula
3	3003012000	Motoventilatore	Motor fan	Motoventilateur	Motorventil	Motoventilador
4	4008020000	Filtro	Filter	Filtre	Filter	Filtro
5	4009044000	Boyler con capillari	Boyler	Boyler	Boyler	Boyler con capilares
6		Pressostato 24 atm	Pressostat 24 atm	Pressostat 24 atm	Drückschalter 24 atm	Presóstato 24 atm
7	9086543900	Condensatore acqua	Water condenser	Condenseur par eau	Kondensator	Condensador agua
8	4001034500	Compressore	Compressor	Compresseur	Kompressor	Compresor
9	4006013000	Pressostato	Pressostat	Pressostat	Drückwächter	Presóstato
10	4048006000	T in rame				
11	4005016000	Ventola	Fan	Hélis de ventilation	Flügelrad	Aspas ventilador

**TAV.10**

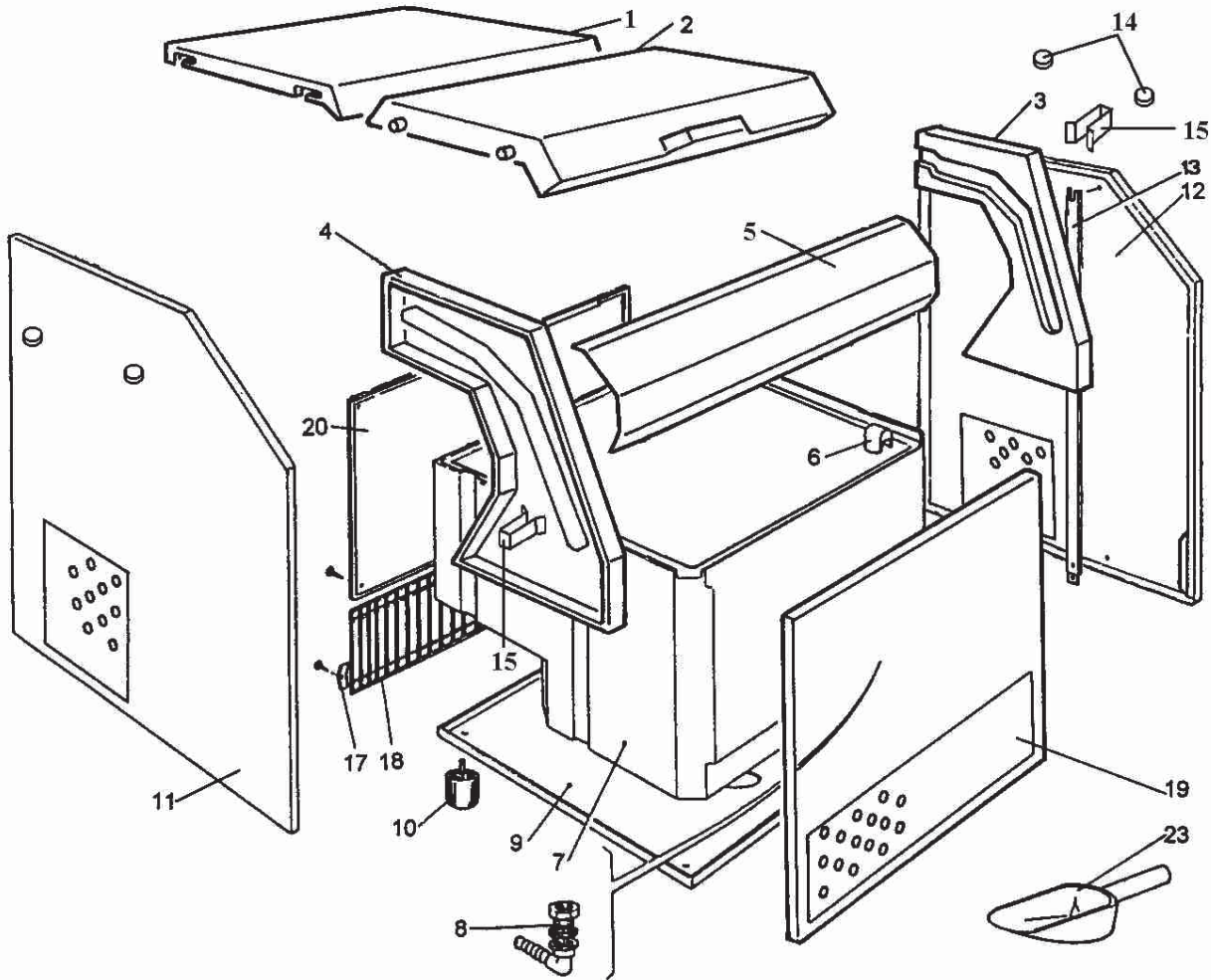


**MOD.MPM150 W**

# TAV.12

POS.	COD.	Denominazione	Denomination	Denominacion	Bezeichnung	Denomination
1	9015418500	Coperchio MP60-80	Cover	Couvercle	Deckel	Tapa
1	9015420500	Coperchio MP100-150	Cover	Couvercle	Deckel	Tapa
2	9090856300	Sportello MP60-80	Door	Porte	Tür	Puerta
2	9090857300	Sportello MP100-150	Door	Porte	Tür	Puerta
3	9030355000	Fianco Plast. DX	Plastic side (r.h.)	Côté droit	Rechte Abdeckung	Costado plást. derecho
4	9030356000	Fianco Plast. SX	Plastic side (l.h.)	Côté gauche	Linke Abdeckung	Costado plást. izquierdo
5	9030394600	Copertura frontale MP60-80	Front cover	Protection de vidange	Plastictrennung	Cubierta frontal
5	9030394700	Copertura frontale MP100-150	Front cover	Protection de vidange	Plastictrennung	Cubierta frontal
6	9030410000	Protezione Scarico MP60-100	Drain cover	Protection de vidange	Ablaufschutz Vorratsbehall	Protección drenaje
7	9087108000	Vasca deposito MP60-80	Ice bin	Depôt	Vorratbehälter	Cubeta depósito
7	9087110000	Vasca deposito MP100-150	Ice bin	Depôt	Vorratbehälter	Cubeta depósito
8	4041319000	Piletta Scarico MP60-100	Drain pipe	Décharge	Fussablaufstutze	Tubo desagüe
9	9015018000	Base p.componenti MP60-80	Base	Base	Untergestell	Base de los elementos
9	9015020000	Base p.componenti MP100-150	Base	Base	Untergestell	Base de los elementos
10	2060112000	Piedino MP60 MP100	Foot	Pied	Fuss	Pata
11	9015154500	Fianco SX	L.H. side panel	Côté droit	Linke Abdeckung	Lado izquierdo
12	9015114500	Fianco DX	R.H. side panel	Côté gauche	Rechte Abdeckung	Lado derecho
13	9016101000	Supp. Cinematismo MP60-100	Support	Support cinematisme	Stützstab	Soporte cinematismos
14	9050470000	Dado per incastro MP60-100	Mounting nut	Ecrou pour joint	Mutter	Tuerca de ensamble
15	2062168000	Clip MP60 MP100	Small snap ring	Petit clip	Kleine Clip	
17	2062167000	Piastrina	Plate	Plaque	Platte	Placa
18	9015824000	Griglia a Filo MP60-80	Grille	Grille	Gitter	Rejilla al ras
18	9015826000	Griglia a Filo MP100-150	Grille	Grille	Gitter	Rejilla al ras
19	9015320500	Frontale MP60-80	Front panel	Frontal	Front	Panel frontal
19	9015322500	Frontale MP100-150	Front panel	Frontal	Front	Panel frontal
20	9015215000	Schienale MP60-80	Back panel	Dossier	Rückenlehne	Panel trasero
20	9015217000	Schienale MP100-150	Back panel	Dossier	Rückenlehne	Panel trasero
23	2063024000	Sessola MP60 MP100	Showel plastic	Pelle	Schaufel	Paleta

**TAV.12**



**MOD.MP60  
MOD.MP80  
MOD.MP100  
MOD.MP150**